

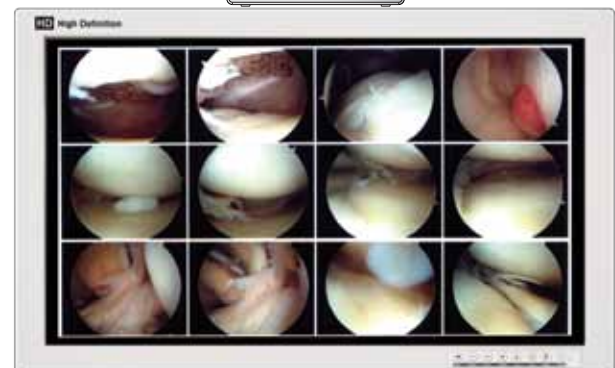
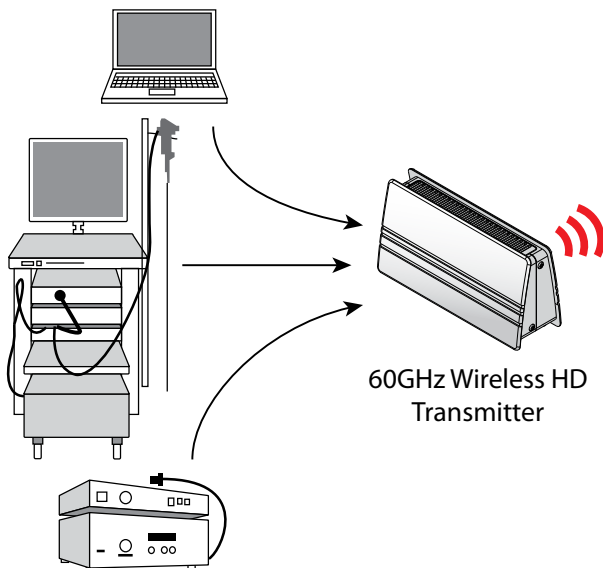
WIS1000

www.foreseesonusa.com

Wireless Transmission Made Easy

Foreseeson's WIS1000, our 60 GHz wireless HD transmitter/receiver, provides an easy and flexible solution to wireless communications. This system supports HD video, 1080p/60Hz, plus new 3D video formats generated by HDMI 1.4a. Both CEC and non-CEC enabled devices are compatible with our WIS1000 wireless system.

- 60 Ghz reliability
- Mounts easily to a variety of surfaces
- Transmitter and receiver automatically synchronize
- Supports high quality 1080p video
- Multiple transmitters and receivers can be configured to form a network



Improve wireless reliability with the WIS1001



WIS1001 (bottom)

The WIS1001 is a DVI converter and scaler created to provide a "clean" output signal complying with industry standards. It allows the user to upscale a lower resolution to HD. The WIS1001 is designed to be used with, and easily connected to, Foreseeson's wireless WIS1000 product.



Opht is a strategic partner of Foreseeson Custom Displays. The full line of fiber optic products available from Opht are designed to provide the very best in digital video and audio extension systems.

Foreseeson USA

2210 E. Winston Road
Anaheim, CA 92806
Tel: 714-300-0540
Fax: 714-300-0546
www.foreseesonusa.com

1 Bridge Plaza, Suite 275
Fort Lee, NJ 07024
Tel: 201-849-4495
Fax: 201-490-1080

Foreseeson GmbH

Benzstr.9
61352 Bad Homburg, Germany
Tel: +49(0)6172-185310-15
Fax: +49(0)6172-185310-11

Foreseeson UK Ltd.

Unit 2 Kingsmill Business Park
Chapel Mill Road
Kingston upon Thames, Surrey KT1 3GZ
Tel: 44 (0) 208 546 1047
Fax: 44 (0) 208 546 3931

Foreseeson Korea

Gang Nam Main Tower #801
1357-66 Seo-cho Dong
Seoul, 137-070 Korea
Tel: 82-2-521-5296
Fax: 82-2-521-5207

D&T Inc.

59-9 Jang-Dong, Yuseong-Gu
Daejeon City, Korea, 305-343
Tel: 82-42-360-8000
Fax: 82-42-360-8005

Specifications

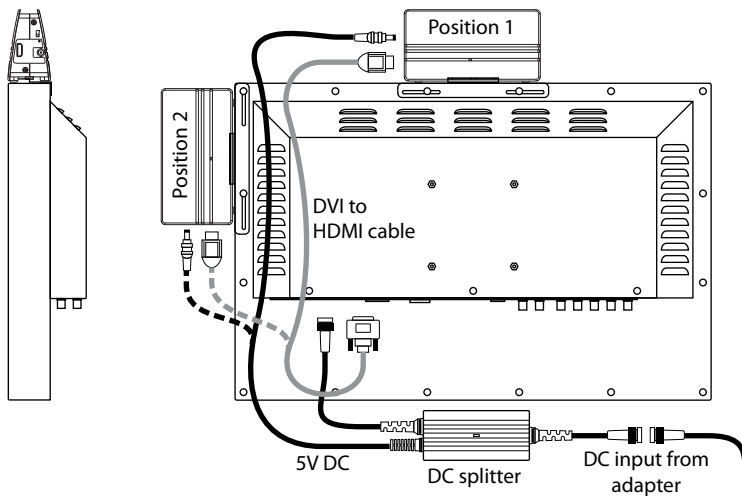
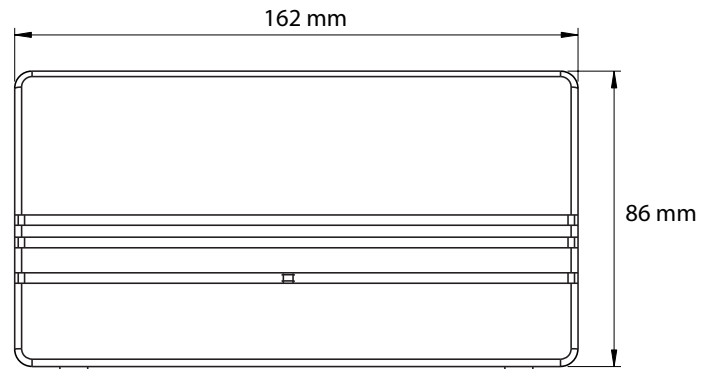
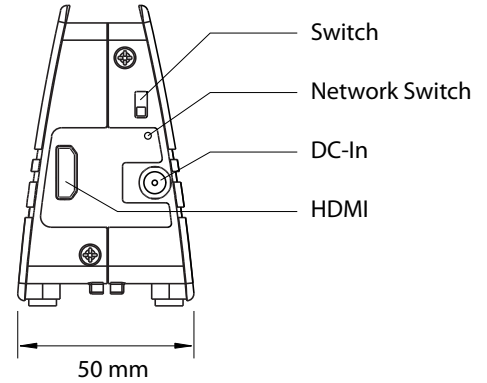


WIS1000

www.foreseesonusa.com

General Specifications

Item	Description
Standards	WIS1000 WirelessHD, HDMI(V1.4a)
Frequency	60 GHz
Input/Output Interface	HDMI interface
Antenna Type	32 Antenna Array (Integrate Ceramic)
Range	10 meters in-room usage
AV Port	Transmitter : 1 Port (CEC pass through) Receiver : 1 Port (CEC pass through)
Physical Specifications	Weight : 242 g (TX) / 242 g (RX) Dimension : 162.0 * 86.0 * 50.0 mm (Tx) and (Rx)
Adapter Power	AC/DC adapter, BPM010S05F02 AC 90-240~, 50-60Hz input, DC +5V 2.0A
LED Indicators	One LED display, power indication
<u>Operating Conditions</u>	
Temperature: 0°C ~ 40°C (32° ~ 104°F) Humidity: 5% ~ 85%	
<u>Transportation Conditions</u>	
Temperature: -20°C ~ 60°C (-4° ~ 140°F), Humidity: 5% ~ 95% Atmospheric Pressure: 500 to 1060 hPa	
<u>Storage Conditions</u>	
Temperature: -20°C ~ 60°C (-4° ~ 140°F) Humidity: 10% ~ 85%	



Powering the WIS1000



DC power splitter

The DC Splitter is a convenient way to further reduce cords and wires from a video display system. It uses power from the monitor's cord and connects to the WIS1000 wireless unit, thus eliminating the need to provide power from a wall receptacle for the WIS1000.

Specifications are subject to change with or without notice. Doc. # FSN1923 Rev. 1/12

Foreseeson USA

2210 E. Winston Road
Anaheim, CA 92806
Tel: 714-300-0540
Fax: 714-300-0546
www.foreseesonusa.com

1 Bridge Plaza, Suite 275
Fort Lee, NJ 07024
Tel: 201-849-4495
Fax: 201-490-1080

Foreseeson GmbH

Benzstr.9
61352 Bad Homburg, Germany
Tel: +49(0)6172-185310-15
Fax: +49(0)6172-185310-11

Foreseeson UK Ltd.

Unit 2 Kingsmill Business Park
Chapel Mill Road
Kingston upon Thames, Surrey KT1 3GZ
Tel: 44 (0) 208 546 1047
Fax: 44 (0) 208 546 3931

Foreseeson Korea

Gang Nam Main Tower #801
1357-66 Seo-cho Dong
Seoul, 137-070 Korea
Tel: 82-2-521-5296
Fax: 82-2-521-5207

D&T Inc.

59-9 Jang-Dong, Yuseong-Gu
Daejeon City, Korea, 305-343
Tel: 82-42-360-8000
Fax: 82-42-360-8005